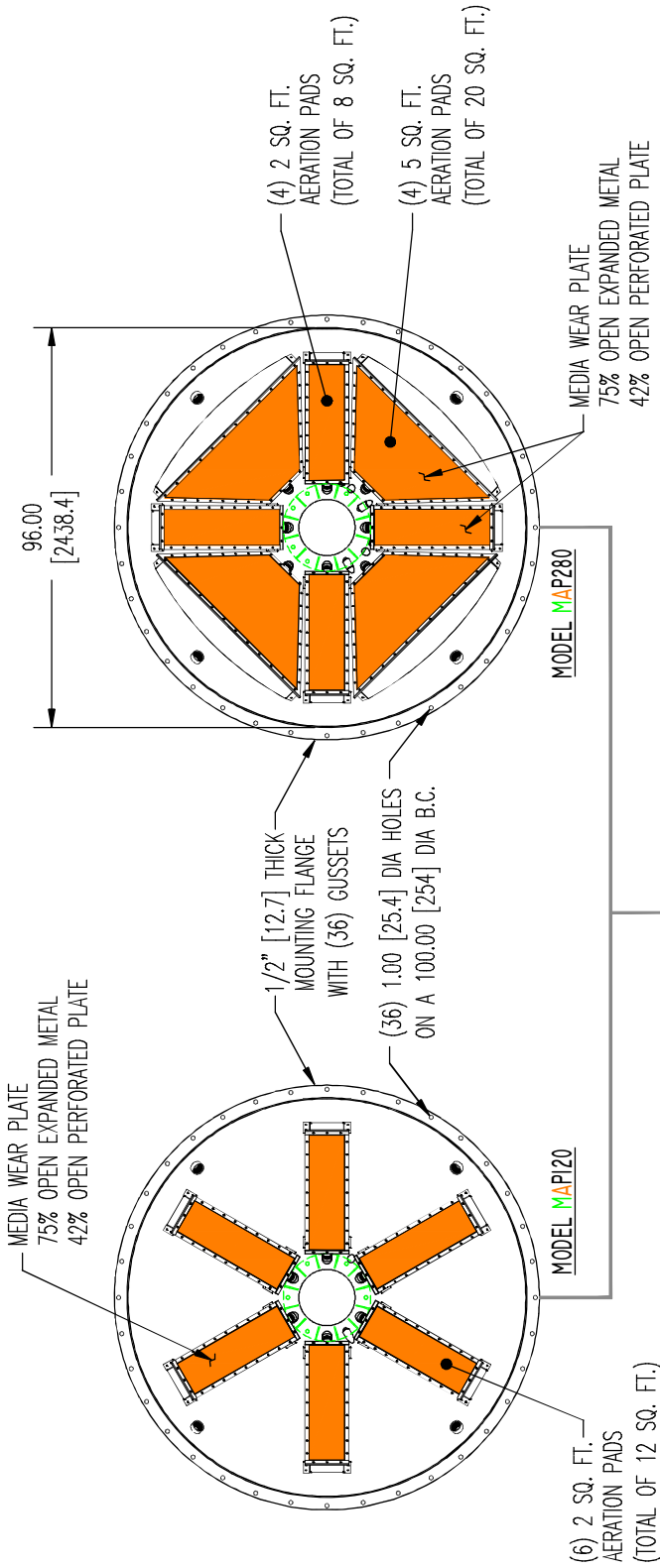


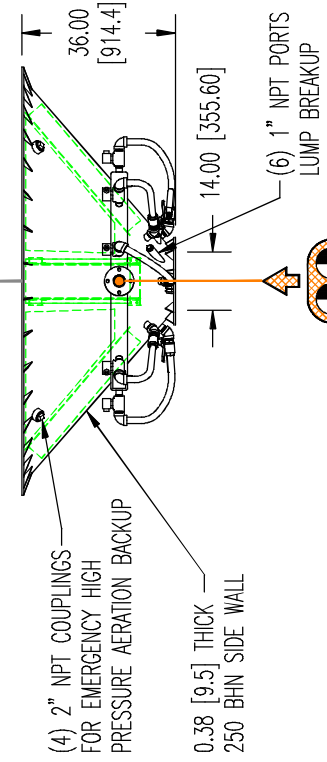
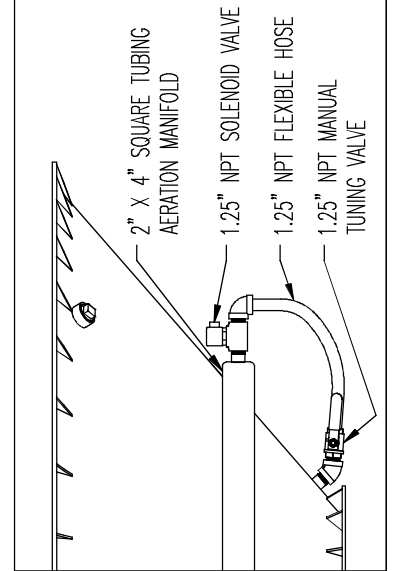
MIDWEST AIRFLO™ SILO AERATION POD

DETAILS ARE SUBJECT TO CHANGE WITHOUT PRIOR NOTICE.
CAUTION: EXPLOSION PROOF CONSTRUCTION AVAILABLE
CONSULT FACTORY FOR DETAILS AND PRICING



MODEL MAP280

MODEL MAP120



AIRFLO™ SILO AERATION POD	MODEL	AREA	CFM
MAP120	12 SQ FT	100	
MAP280	28 SQ FT	200	

POSITIVE DISPLACEMENT
BLOWER 5-7 PSI



Operational Headquarters
Midwest Plaza, 105 Slower Rd.
Charlevoix, Michigan 49720
Phone (231) 547-4000
Fax (231) 547-9453
a division of
ron pair enterprises, inc.

REF. SERIAL NO. JOB NO. SHEET NO. 1 OF 1 DRAWING NO. AIRFLO POD

PREPARED FOR: P.O. NO. DATE: TITLE: AIRFLO™ SILO AERATION POD DRAWN: BW DATE: 29 JAN 13 CHECKED: WP

This drawing and/or publication represents proprietary article and the designs, trade names or trademarks therein are either patented, have patents pending or are copyrighted internationally. Information appearing on this document remains the property of Ron Pair Enterprises, Inc. and is not to be reproduced without written authorization from an officer of this corporation.

REVISION	
NO.	DATE: