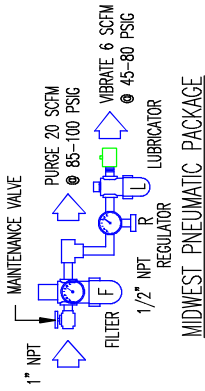


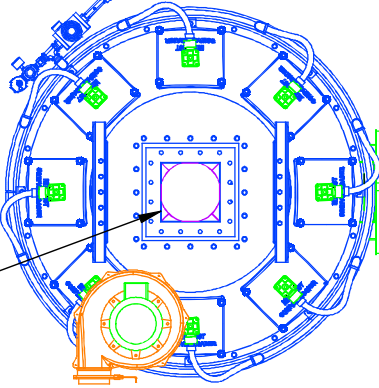
MIDWEST COMPACULOADER™

DETAILS ARE SUBJECT TO CHANGE WITHOUT PRIOR NOTICE.
CAUTION: EXPLOSION PROOF CONSTRUCTION AVAILABLE.
 CONSULT FACTORY FOR DETAILS AND PRICING



MIDWEST PNEUMATIC PACKAGE

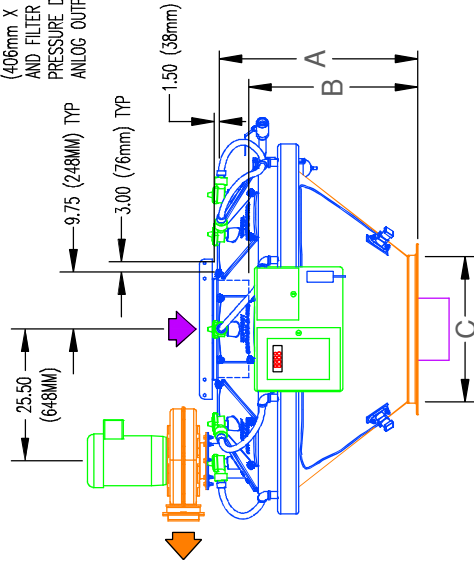
MAXIMUM PRODUCT INLET:
 14.00 X 14.00 (355.6mm X 355.6mm)



FILTER PURGING AIR INLET 1" NPT
 AIR REQUIREMENT: 20 SCFM INSTRUMENT
 AIR @ 85-100 P.S.I. FILTER REGULATOR
 AND BRASS MAINTENANCE VALVE REQUIRED

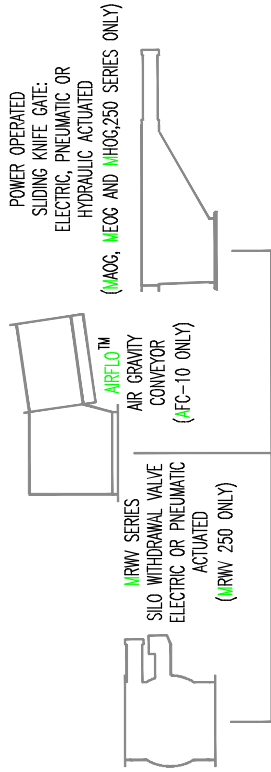
MOTOR PREWIRE ENCLOSURE NEMA 4
 (10 X 8 X 6)(254mm X 203mm X 152mm)

PURGE CONTROLLER ENCLOSURE NEMA 4 (16 X 12 X 8)
 (406mm X 305mm X 203mm) SOLID STATE PULSE CONTROL
 AND FILTER VACUUM GAUGE CONTINUOUS CLEAN. PHOTOELECTRIC
 PRESSURE DIFFERENTIAL WITH DIGITAL DISPLAY AND 4-20mA
 ANALOG OUTPUT INCLUDED.



MODEL	CFM	A/C RATIO	A	B	C
MCL400C	1000	2.5:1	38.50in	34.25in	19.00in
MCL520C	1500	2.9:1	977.9mm	870.0mm	482.6mm
MV22			38.50in	34.25in	28.00in
MV30			977.9mm	870.0mm	711.2mm

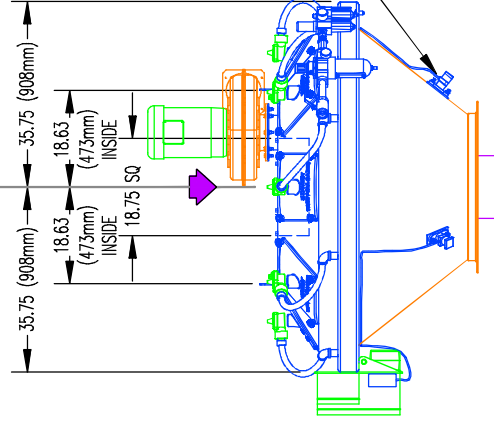
RETRACTABLE BULK LOADING SPOUT
 SPECIFY MV SERIES REFER TO
 APPROPRIATE SPOUT DRAWING



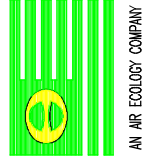
POWER OPERATED
 SLIDING KNIFE GATE:
 ELECTRIC, PNEUMATIC OR
 HYDRAULIC ACTUATED
 (MAG, MEOG AND MHOG250 SERIES ONLY)

MRW SERIES
 SIILU WITHDRAWAL VALVE
 ELECTRIC OR PNEUMATIC
 ACTUATED
 (MRW 250 ONLY)

AIRFLO™
 AIR GRAVITY
 CONVEYOR
 (AFC-10 ONLY)



AIR VIBRATOR KIT:
 CONSISTING OF (3) VIBRATORS
 WITH SOLENOID VALVE. AIR
 CONSUMPTION 6 CFM @ 45 P.S.I.



SPOUT POSITIONERS AVAILABLE
 MFP/ FLAT TOP SPOUT POSITIONER (2 DIRECTION)
 MSP/ SPOUT POSITIONER (1 DIRECTION)
 MRSP/ ROUNDABOUT™ SPOUT POSITIONER (ALL DIRECTIONS)
 LOW PROFILE POSITIONER WITH AERATED HOPPER (AS SHOWN)
 REFER TO APPROPRIATE SALES DRAWING OR CONSULT FACTORY



Operational Headquarters
 Midwest Plaza, 105 Slower Rd.
 Charlevoix, Michigan 49720
 Phone (231) 547-4000
 Fax (231) 547-9453
 a division of
 ron pair enterprises, inc.

REF. SERIAL NO. JOB NO. SHEET NO. DRAWING NO. MCL320A

PREPARED FOR: P.O. NO. TITLE: COMPACULOADER™ FILTER MODULE DRAWN: KC DATE: 07 FEB 00

DATE: CHECKED: RP/REM

This drawing and/or publication represents proprietary article and the designs, trade names or trademarks therein are either patented, have patents pending or are copyrighted internationally. Information appearing on this document remains the property of Ron Pair Enterprises, Inc. and is not to be reproduced without written authorization from an officer of this corporation.

REVISION	
NO.	DATE
A	12 OCT 01
B	06 DEC 01
C	07 DEC 01
D	13 APR 02
E	23 JULY 02
F	31 MAY 06
G	23 JAN 13