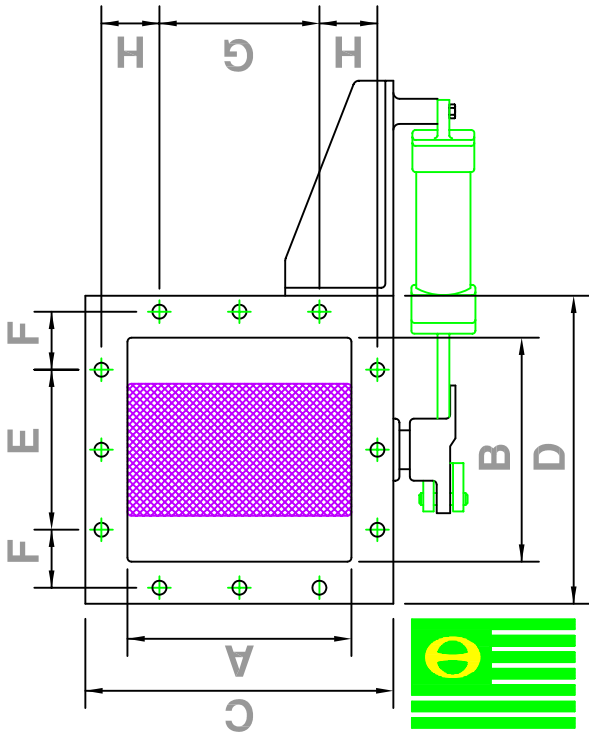
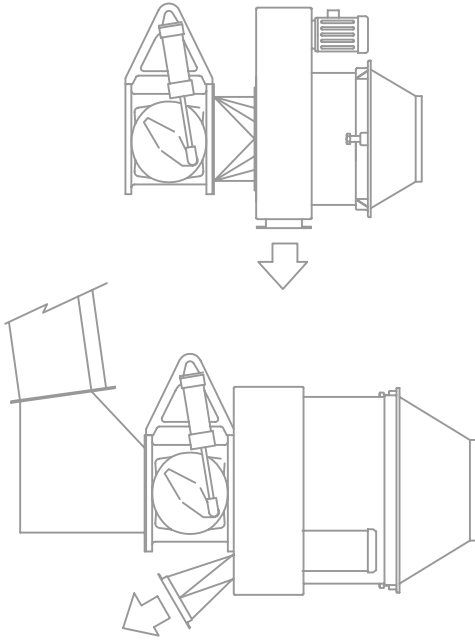


MRWV PARAGON™ SERIES

90 DEGREE SILO WITHDRAWAL VALVE



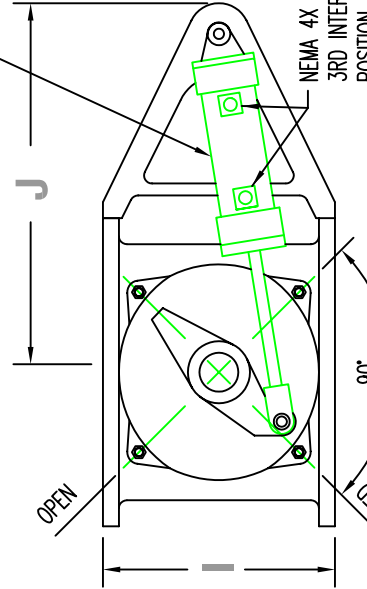
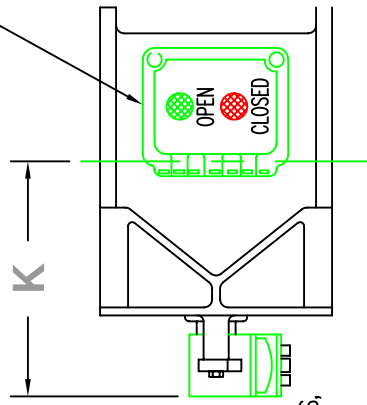
AN AIR ECOLOGY COMPANY

TYPICAL INSTALLATIONS

PREWIRING—PREPPING NEMA 4X AVAILABLE WITH RED "CLOSED" AND GREEN "OPEN" INDICATOR LIGHTS (OR REVERSED)

OPTIONAL

PNEUMATIC CYLINDER, ELECTRIC ACTUATION AVAILABLE



TOP & BOTTOM FLANGES IDENTICAL

NEMA 4X LIMIT SWITCHES, 3RD INTERMEDIATE POSITION STANDARD NEMA 7/9 (XP) AVAILABLE

OPTIONAL

PAINT: 3 MILS SPECKLED GRAY EPOXY

MODEL	FLOW AREA SQ. IN.	LOADING SPOUT VENTURI
MRWV 300	70	MB/V16 28 SQ. IN.
MRWV 350	105	MC/V22 50 SQ. IN.
MRWV 300/550	188	MD/V30 113 SQ. IN.
MRWV 400/500	253	ME/V36 153 SQ. IN.

MODEL	A		B		C		D		E		F		G		H	I	J	K	WEIGHT								
	IN	MM	IN	MM	IN	MM	IN	MM	IN	MM	IN	MM	IN	MM					LBS	KG							
MRWV 300	12.00	304.8	12.00	304.8	17.25	438.2	3	3.75	95.3	16	75	19	2.00	50.8	3	3.75	95.3	2.00	50.8	12.00	304.8	23.06	585.8	13.63	346	400	181.4
MRWV 350	14.00	355.6	14.00	355.6	19.50	495.3	2	5.00	127	12	88	22	3.63	92	2	5.00	127	3.63	92	14.50	368.3	23.06	585.8	14.75	374.6	575	260.8
MRWV 300/550	24.00	609.6	12.00	304.8	30.00	762	4	5.00	127	16	88	22	3.00	76.2	4	5.50	139.7	3.00	76.2	14.50	368.3	23.06	585.8	20.13	511	800	362.9
MRWV 400/500	20.00	508	16.00	406.4	26.00	660.4	4	5.00	127	18	88	22	2.50	63.5	4	5.00	127	2.00	50.8	23.00	584.2	33.13	841.4	17.88	454	1100	500



Operational Headquarters
Midwest Plaza, 105 Stover Rd.
Charlevoix, Michigan 49720
Phone (231) 547-4000
Fax (231) 547-9453
a division of
ron pair enterprises, inc.

REF. SERIAL NO. JOB NO. SHEET NO. DRAWING NO. MRWV001

PREPARED FOR: P.O. NO. TITLE: MRWV 90° SILO ROTARY CUT OFF VALVE DRAWN: KC DATE: 07 FEB 00

DATE: 02 AUG 00

CHECKED: RP/REM

This drawing and/or publication represents proprietary article and the designs, trade names or trademarks therein are either patented, have patents pending or are copyrighted internationally. Information appearing on this document remains the property of Ron Pair Enterprises, Inc. and is not to be reproduced without written authorization from an officer of this corporation.

REVISION NO. DATE: A 10 AUG 00 B 07 MAR 02